



USER INSTRUCTIONS

PROFESSIONAL EXTRACTOR HOODS

EXTRACTOR HOODS USER INSTRUCTIONS

December 2015 revision

CONTENTS

➤ 1 / USER INSTRUCTIONS

- Safety instructions
- Environmental friendliness
- Description of your extractor unit

➤ 2 / INSTALLING YOUR EXTRACTOR UNIT

- Electrical connection
- Assembling the extractor hood

➤ 3 / USING YOUR EXTRACTOR UNIT

- Description of the controls

➤ 4 / MAINTENANCE AND CLEANING OF YOUR EXTRACTOR UNIT

- Cleaning the filter cartridges
- Changing the carbon filter
- Cleaning the external surfaces
- Cleaning your extractor unit

➤ 5 / OPERATING ANOMALIES

➤ 6 / AFTER-SALES SERVICE

- Interventions
- Consumer relations

➤ 1 / USER INSTRUCTIONS

NB:

Keep these user instructions with your extractor unit. Should the extractor unit be sold or transferred to another person, make sure that the user instructions accompany it. Please familiarize yourself with these instructions before installing and using your extractor unit. They were drawn up with your safety and the safety of other people in mind.

● **SAFETY INSTRUCTIONS**

- Upon receiving the extractor unit, unpack it or have it unpacked straight away. Check its general appearance. State any reservations you may have about its condition in writing on the delivery slip, of which you should keep a copy.
- Do not modify or attempt to modify the characteristics of this extractor unit. That would pose a danger for you.
- Repairs must be carried out exclusively by an approved specialist.
- Always disconnect the extractor hood before cleaning or servicing it.
- Follow the cleaning and replacement intervals for the filters. A build-up of grease would pose a fire risk.
- Never use steam or high-pressure appliances to clean your extractor unit (this is due to electrical safety-related requirements).
- With a view to ensuring ongoing improvement of our products, we reserve the right to make any modifications to their technical, functional or aesthetic characteristics related to a technical upgrade.
- In order to easily find the references for your extractor unit in the future, we advise you to note them on the “After-Sales Service and Customer Relations” page (this page also explains to you where to find them on your extractor unit).

● **ENVIRONMENTAL FRIENDLINESS**

- The packaging materials for this extractor unit are recyclable. Have them recycled and, in doing so, play your part in protecting the environment by placing them in municipal recycling bins set aside for that purpose.
- Your extractor unit also contains various recyclable materials. Consequently, it is marked with this logo in order to indicate to you that used extractor units must not be mixed with other waste. This will enable the recycling of extractor units organized by your manufacturer to be carried out under optimal conditions, in accordance with European

Directive 2002/96/EC concerning electrical and electronic equipment waste. Contact your municipal council or your retailer in order to find out where the collection points for used devices nearest to your home are.

- Thank you for playing your part in protecting the environment.

NB:

Installation is restricted to qualified installers and technicians.

- **A DESCRIPTION OF YOUR EXTRACTOR UNIT:**

➤ **2 / INSTALLING YOUR EXTRACTOR UNIT**

- The extractor unit must be disconnected while it is installed or in the event of work being done on it.
- Check that the mains voltage matches the voltage stated on the information plate on the outside of the extractor hood.
- If your shop's electrical installation requires a modification to be made so that your extractor unit can be connected, call in a qualified electrician.

- **ELECTRICAL CONNECTION**

During installation and maintenance operations, the extractor unit must be disconnected from the electrical network, and the fuses must shut off or removed.

Electrical connection should be carried out before the extractor unit is fitted into the kitchen unit.

Check that:

- The installation's power rating is adequate,
- The power supply lines are in good condition,
- The diameter of the wires complies with the installation rules.

NB:

This extractor unit is delivered with an H07 power supply cable with 3 x 2.5 mm² conductors (neutral, phase and earth). It must be connected to a 220-240 V single-phase network via a CE standard-compliant power socket that must remain accessible after installation, in accordance with the installation rules.

Our liability cannot be invoked in the event of an accident as a consequence of either not earthing the unit or earthing it incorrectly. The fuse on your installation must be 10 or 16 A. If the power supply cable is damaged, call the After-Sales Service in order to forestall any danger.

NB:

If your shop's electrical installation requires a modification to be made so that your extractor unit can be connected, call in a qualified electrician.

NB:

If the extractor hood shows any signs of any anomalies whatsoever, then disconnect the extractor unit or remove the fuse for the extractor unit's line.

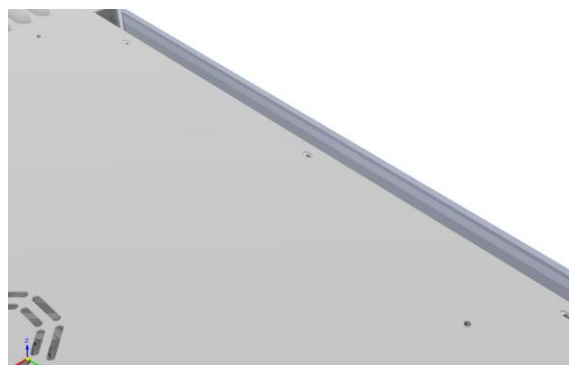
- **INSTALLING THE EXTRACTOR HOOD**

The extractor hood's fastenings are located at the back of the rotisserie unit (Fig. 1).

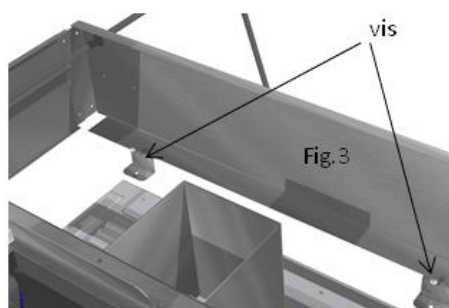
NB: In the case of rotisserie units that have already been installed, arrange for a technician to drill the holes and position the inserts.

Position the extractor hood over the rotisserie (Fig. 2).

Using two screws, fasten the extractor hood onto the rotisserie (Fig. 3).



enings



➤ **3 / USING YOUR EXTRACTOR UNIT**

- **DESCRIPTION OF THE CONTROLS**
- 1-speed electric model



Toggling the red switch on the lower left-hand side will enable you to start up your extractor unit.

➤ **4 / MAINTENANCE AND CLEANING OF YOUR EXTRACTOR UNIT**

NB:

Disconnect the extractor unit before carrying out maintenance and cleaning of the unit. Regular maintenance of your extractor unit guarantees it will run smoothly, provide good performance, and a long service life.

NB:

Failure to follow the cleaning instructions for the extractor unit and the filters may cause fires. Make sure you strictly follow the maintenance instructions.

- **CLEANING THE FILTER CARTRIDGES**

These must be cleaned regularly, at least once or twice a week. This cleaning must be carried out in your dishwasher, with the filters in a vertical position.

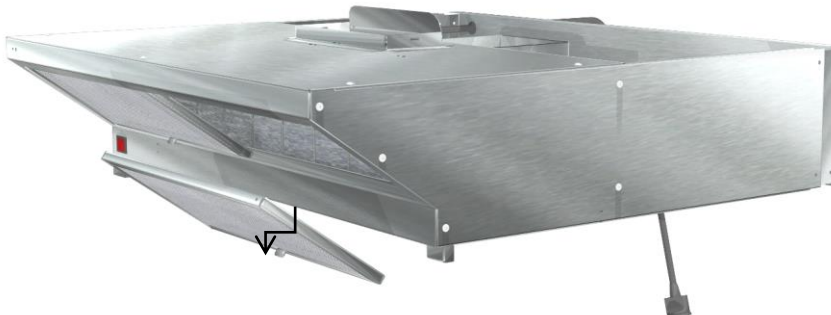
Use a brush, hot water and gentle detergent. Rinse them and dry them carefully before fitting them back in position.

- **CLEANING THE FILTERS**

CARTRIDGE FILTERS

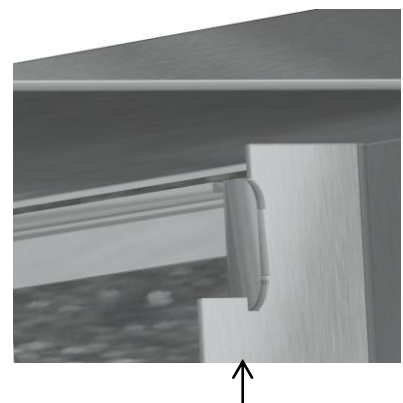
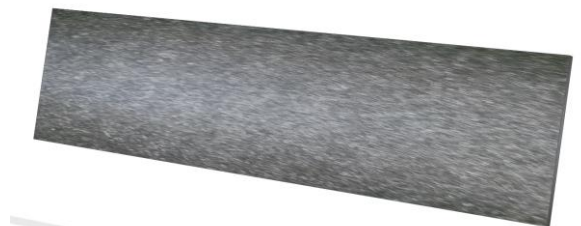


- Lift out each filter using its stainless steel pull tab, pulling it upwards in order to release the lower part from its housing.



CARBON FILTER

- **CHANGING A CARBON FILTER**



- Raise the filter locking mechanism (Fig. 1) in order to release it from its housing

Fig. 1

- Pivot the locking mechanism forwards before removing it (Fig. 2).

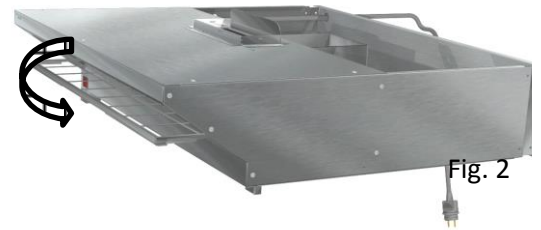


Fig. 2

- Then remove the carbon filter (Fig. 3).



Fig. 3

- **CHANGING THE CARBON FILTER**

(Replace it after approximately 150 hours of use.)

- **CLEANING THE EXTERNAL SURFACES**

To clean the external surfaces of your extractor hood, use soapy water, but do not use scouring creams, or abrasive sponges.

NB:

Before carrying out any work, the extractor hood must be powered down, either by removing its electrical plug from its socket, or by actuating the circuit-breaker.

• **CLEANING YOUR EXTRACTOR UNIT**

CLEANING...	HOW SHOULD THIS BE DONE?	PRODUCTS/ACCESSORIES TO BE USED
The casing and accessories	Never use metal scrubbing pads, abrasive products, or brushes that are too hard.	To clean the bodywork, only use commercially-available household cleaning agents diluted in clean water and wipe with a soft cloth.
Cartridge filter	This filter retains fat-laden steam and dust. It is the item that plays a major part in terms of the efficiency of your extractor hood. In the event of persistent stains, use a non-abrasive cream, and then rinse in clean water.	Use a commercially-available household cleaning agent, then rinse with copious amounts of water and dry. This cleaning may be carried out in your dishwasher with the filter in a vertical position (do not bring into contact with dirty dishes or silver cutlery) .
Activated carbon filter	This filter retains odors and must be changed at least once a year depending on your level of use. Order these filters from a manufacturer (using the reference indicated on the information plate on the outside of the extractor hood) and also note the replacement date.	

➤ **5 / OPERATING ANOMALIES**

SYMPTOMS	SOLUTIONS
The extractor hood is not working...	Check that: <ul style="list-style-type: none"> - No power outage has occurred, - The switch is still on.
The extractor hood's performance is inadequate...	Check that : <ul style="list-style-type: none"> - The carbon filter is not worn out, - The cartridge filter is not filled up with grease.
The extractor hood has shut down unexpectedly	Check that no power outage has occurred.

➤ **6 / AFTER-SALES SERVICE**

• **INTERVENTIONS**

Any intervention work done on your extractor unit must be carried out by a qualified professional. When you call them, mention the full reference details of your extractor unit (model, type, serial number). This information is featured on the information plate on the back of your extractor hood.



ORIGINAL PARTS

In the event of maintenance work, demand that only certified original spare parts be used.

• **CONSUMER RELATIONS**

- To find out more about all of the company's products: Information, advice, sales outlets, after-sales service specialists.
- To communicate with us:

We are there to listen to all your remarks, suggestions, and proposals, which we will respond to personally.