

1515 Design

DISPLAYS



CATALOG 2023

WWW.1515DESIGN.COM
Made in France



OUR DISPLAYS:

FOR YOUR PRODUCTS!

The display is your first point of contact with your customers, making it a vital sales tool. We take extra special care to make these both attractive and wonderfully easy to use, and to ensure that they are made from the highest quality materials.

Each unit in the Dorégrill display collection can be fully modulated, enabling it to fit perfectly into your space and your sales strategy. For both traditional rotisserie service and self-service, heated and chilled units work alongside room temperature shelves to create a logical, adaptable system that puts the spotlight firmly on your products.

These units are designed for professionals. They are sturdy, easy to install and clean - in short, these displays are designed to make your life easier.

They're built to last, too. The Dorégrill quality charter, based on 50 years of experience and expertise, guarantees optimal use and maximum reliability thanks to the high quality of the materials we use. From brushed stainless steel and brass to "enamel" or lacquered finishes and hardened glass, we put only the best into our units.



HEATED DISPLAYS

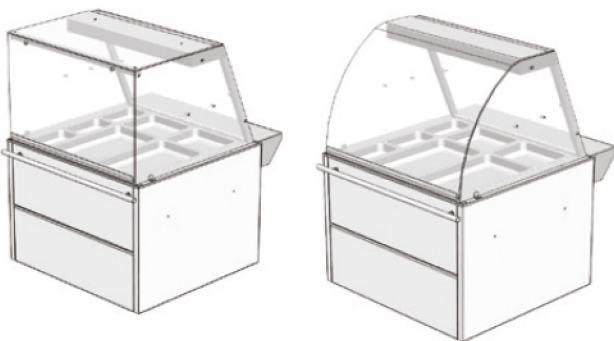
SPECIFICATIONS

Manufacturer :



TRADITIONAL SERVICE

Model	Length	Depth	Window height	Workstation height	Voltage	Power outlet	Power
V 75 Trad	29 1/2"	40 1/4"	54 1/4"	30 1/4"	220 V mono	10-16 A	2100 W
V 100 Trad	39 1/2"	40 1/4"	54 1/4"	30 1/4"	220 V mono	10-16 A	2100 W
V 132 Trad	52"	40 1/4"	54 1/4"	30 1/4"	220 V mono	10-16 A	3300 W
V 150 Trad	59"	40 1/4"	54 1/4"	30 1/4"	220 V mono	10-16 A	3300 W
V 175 Trad	69"	40 1/4"	54 1/4"	30 1/4"	220 V mono	20 A	4200 W
V 195 Trad	76 3/4"	40 1/4"	54 1/4"	30 1/4"	220 V mono	20 A	4200 W



DESCRIPTION

- Pull-down straight or curved front glass windows
- Sliding "mirror-effect" rear windows
- Heated lighting
- Pull-down rear bar, removable for cleaning or in fixed stainless steel

EQUIPMENT (please state when you order)

- Stainless steel tray and gutter (for grilled meat)
- Hotel pans (for cooked dishes and sides)
- Or half/half

OPTIONAL EXTRAS

- Knife holder
- Label holder
- Bag hook
- Stoneware hotel pans

HEATED DISPLAYS

SPECIFICATIONS

Manufacturer :



TRADITIONAL SERVICE WITH AN INSTALLED UNIT

Model	Length	Depth	Window height	Workstation height	Voltage	Power outlet	Power
V 75 Trad AP	29 1/2"	40 1/4"	33 1/2"	10"	220 V mono	10-16 A	2100 W
V 100 Trad AP	39 1/2"	40 1/4"	33 1/2"	10"	220 V mono	10-16 A	2100 W
V 132 Trad AP	52"	40 1/4"	33 1/2"	10"	220 V mono	10-16 A	3300 W
V 150 Trad AP	59"	40 1/4"	33 1/2"	10"	220 V mono	10-16 A	3300 W
V 175 Trad AP	69"	40 1/4"	33 1/2"	10"	220 V mono	20 A	4200 W

Also exists in self-service version

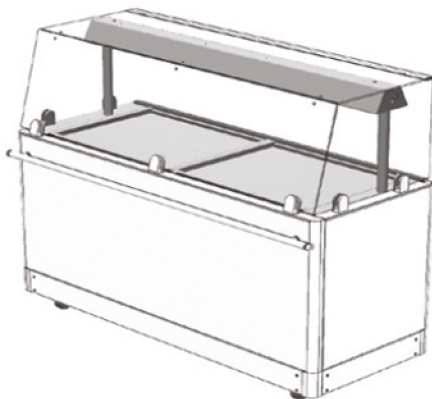


DESCRIPTION

Identical to the Traditional Service, but without a storage space in the base.

MARKET SPECIAL TRADITIONAL SERVICE

Model	Length	Depth	Window height	Workstation height	Voltage	Power outlet	Power
V 120 M	47 1/4"	25 1/4"	48 1/2"	32 1/2"	220 V mono	10-16 A	3600 W
V 150 M	59"	25 1/4"	48 1/2"	32 1/2"	220 V mono	10-16 A	3600 W



DESCRIPTIF

- High flat front window, low lateral windows
- Heated lighting
- Specially adapted for mobile sales: shallow model (easy to store) and high-ground clearance.
- Light weight.

EQUIPMENT (please state when you order)

- Stainless steel tray and gutter (for grilled meat)
- Hotel pans (for cooked dishes and sides)
- Or half/half

OPTIONAL

- Fully closed-off model with an upper glass panel and sliding rear glass doors.

HEATED DISPLAYS

SPECIFICATIONS

Manufacturer :



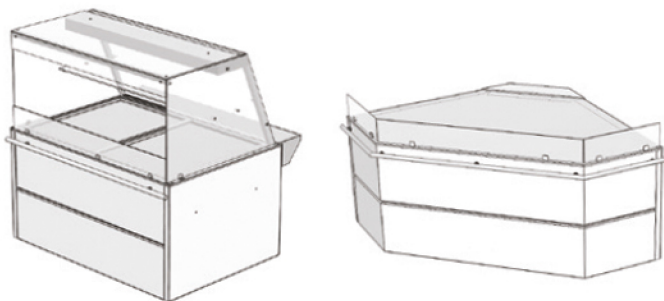
SELF-SERVICE

Model	Length	Depth	Window height	Workstation height	Voltage	Power outlet	Power
V 75 LS 9 plate holders*	29 1/2"	40 1/4"	54 1/4"	30 1/2"	220 V mono	10-16 A	2100 W
V 100 LS 12 plate holders*	39 1/2"	40 1/4"	54 1/4"	30 1/2"	220 V mono	10-16 A	3000 W
V 132 LS 18 plate holders*	52"	40 1/4"	54 1/4"	30 1/2"	220 V mono	10-16 A	3300 W
V 150 LS 24 plate holders*	59"	40 1/4"	54 1/4"	30 1/2"	220 V mono	10-16 A	3300 W
V 175 LS 30 plate holders*	69"	40 1/4"	54 1/4"	30 1/2"	220 V mono	20 A	4200 W
V 195 LS 36 plate holders*	76 3/4"	40 1/4"	54 1/4"	30 1/2"	220 V mono	20 A	4200 W
VA 90° CORNER LS chauffant	79 1/2"	40 1/4"	36"	30 1/2"	220 V mono	10-16 A	2800 W

*Doubled capacity by superposing

Also exists in traditional service version

See "traditional service with an installed unit" chart



DESCRIPTION

- Splash screen glass panel
- Sliding "mirror-effect" rear glass doors
- Low front window with "Servez-vous" microbeaded text (cannot be altered)
- Heated lighting

OPTIONAL

- Mid-level glass shelf

HEATED DISPLAYS

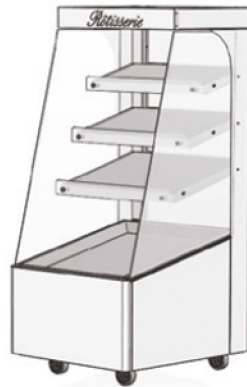
SPECIFICATIONS

Manufacturer :



2 & 4 LEVEL SELF-SERVICE

Model	Length	Depth	Window height	Workstation height	Voltage	Power outlet	Power
V 132 LS 2 38 plate holders	52"	40 1/4"	54 1/4"	23 1/2"	220 V mono	20 A	4300 W
V 80 LS 4 38 plate holders	31 1/2"	37"	71 1/4"	/	220 V mono	10-16 A	3600 W
V 85 LS 2 20 plate holders	33 1/2"	37"	43 3/4"	/	220 V mono	10-16 A	2600 W



DESCRIPTION V132 LS 2

- Identical to the V132 LS with an additional heated shelf

DESCRIPTION V80 LS 4

- 4 heated presentation levels
- Low front window with "Servez-vous" microbeaded text (cannot be altered)
- Lateral left and right windows for a panoramic view
- Heated glass-ceramic lighting
- Back-lit "Rôtisserie" text

HEATED SELF-SERVICE DISPLAY

SPECIFICATIONS

Model : **V60 LS 5 PULSE**

Manufacturer :



PERFORMANCE

5 stainless steel heated presentation shelves.
LED strip lighting on the entire showcase.
Double recovery technology and air circulation all around the hot packaged products.
The display is kept at legal temperature by a hot air curtain on the front and each shelf is ventilated and regulated.
Regulation by thermostat from 68°F to 194°F (display on customer side) and regulatory temperature maintenance of 145°F guaranteed at the heart of the products .

ERGONOMIC

Tempered glass retainer on each shelf
4 casters including 2 with brakes.

A BEAUTIFUL DESIGN

Right and left side windows for panoramic mirror effect
Visibility on three sides.

SAFETY

Tempered glass protection.



POWER SUPPLY

- Standard: 220V Single Phase
- 20 Amps
- 4500 Watts

HEATED SELF-SERVICE DISPLAY

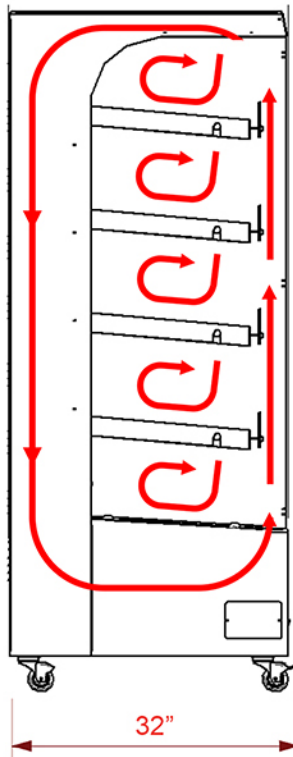
SPECIFICATIONS

Model : **V 60 LS 5 PULSE**

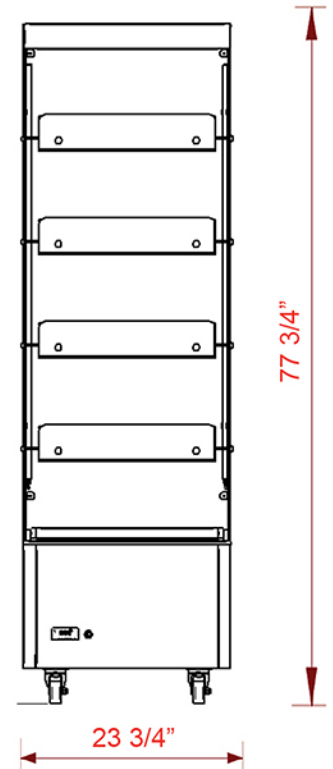
Manufacturer :



SIDE VIEW



FRONT VIEW



References	Width	Depth	Height	Voltage	Plug	Power
V 60 LS 5 PULSE	23 3/4"	32"	77 3/4"	220 V Single Phase	20 A	4.5 Kw

HEATED SELF-SERVICE DISPLAY

SPECIFICATIONS

Model : **V 100 LS 5 PULSE**

Manufacturer :



PERFORMANCE

5 stainless steel heated levels including 4 presentation shelves.
Led lighting on the entire showcase.
Double recovery technology and air circulation all around the hot packaged products.
The display is kept at legal temperature by a hot air curtain on the front and each shelf is ventilated and regulated.
Regulation by thermostat from 68°F to 194°F (display on customer side) and regulatory temperature maintenance of 145°F guaranteed at the heart of the products.

ERGONOMIC

Tempered glass retainer on each shelf
4 casters including 2 with brakes.

A BEAUTIFUL DESIGN

Right and left side windows for panoramic mirror effect

OPTIONS

20° Inclined stainless steel shelf



SAFETY

Tempered glass protection.



POWER SUPPLY

Standard: 220V Triphase
20 Amps
8360 Watts

HEATED SELF-SERVICE DISPLAY

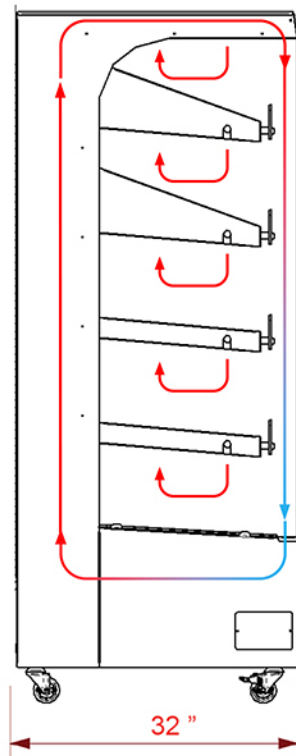
SPECIFICATIONS

Model : **V 100 LS 5 PULSE**

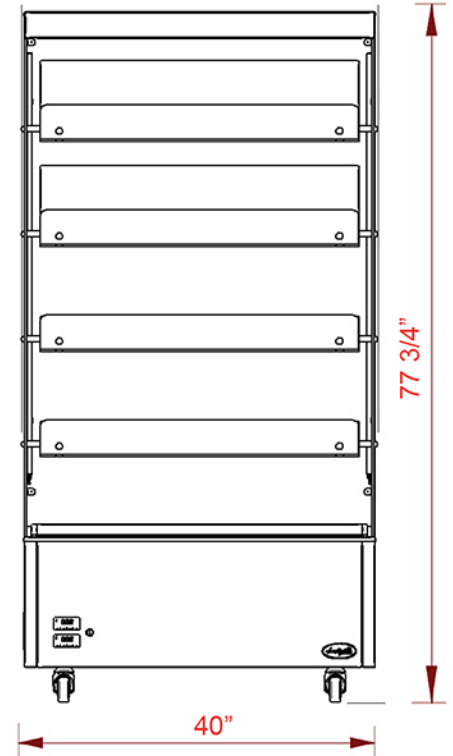
Manufacturer :



SIDE VIEW



FRONT VIEW



References	Width	Depth	Height	Voltage	Plug	Power
	40"	32"	77 3/4"	220 V Triphase	20 A	8.36 Kw

HEATED DISPLAYS

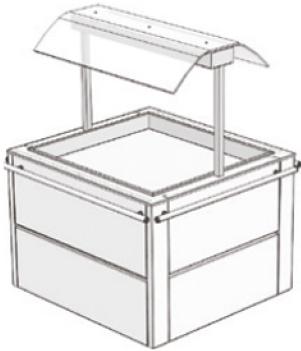
SPECIFICATIONS

Manufacturer :



« ISLAND » SELF-SERVICE

Model	Length	Depth	Window height	Workstation height	Voltage	Power outlet	Power
V 75 LS îlot	33"	40 1/2"	54 1/2"	30 1/4"	220 V mono	10-16 A	2100 W
V 100 LS îlot	43"	40 1/2"	54 1/2"	30 1/4"	220 V mono	10-16 A	3000 W
V 132 LS îlot	55 1/2"	40 1/2"	54 1/2"	30 1/4"	220 V mono	10-16 A	3300 W
V 175 LS îlot	72 1/2"	40 1/2"	54 1/2"	30 1/4"	220 V mono	20 A	4200 W



DESCRIPTION

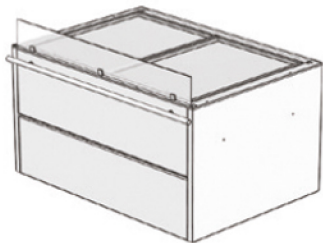
- Splash-proof curved front and rear windows with "Servez-vous" microbeaded text
- Heated lighting
- Guards on 4 sides

OPTIONAL

- Mid-level shelf

« HOT TABLE » SELF-SERVICE

Model	Length	Depth	Window height	Workstation height	Voltage	Power outlet	Power
TC 75 LS	29 1/2"	40 1/4"	36"	30 1/4"	220 V mono	10-16 A	1800 W
TC 100 LS	39 1/2"	40 1/4"	36"	30 1/4"	220 V mono	10-16 A	2700 W
TC 132 LS	52"	40 1/4"	36"	30 1/4"	220 V mono	10-16 A	2700 W
TC 150 LS	59"	40 1/4"	36"	30 1/4"	220 V mono	10-16 A	2700 W



DESCRIPTION

- Lower front window with "Servez-vous" microbeaded text (cannot be altered)

HEATED DISPLAYS

SPECIFICATIONS

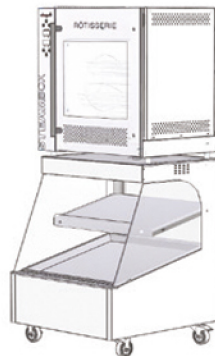
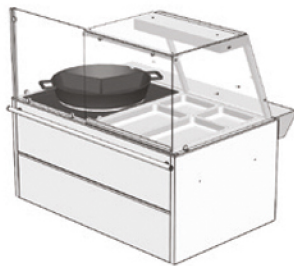
Manufacturer :



COMBINED SELF-SERVICE

Model	Length	Depth	Total height	Voltage	Power outlet	Power
CONCEPT NEOL heating element - 4 baskets - Rotisserie oven N1 +V85 LS	34"	37 3/4"	76"	220 triphase	20 A	9 900 W
CONCEPT NEOBOX - 4 baskets - Steambox Rotisserie OVEN + V85 LS	34"	37 3/4"	78 3/4"	220 triphase	20 A	11 600 W

Model	Length	Depth	Window height	Workstation height	Voltage	Power outlet	Power
V 150 TLS	59"	40 1/4"	54 1/4"	30 1/4"	220 V mono	20 A	3900 W
V 150 TPC	59"	40 1/4"	54 1/4"	30 1/4"	220 triphase	20 A	6600 W



DESCRIPTION

- Sliding and mirror-effect reflective glass backing (Traditional part)
- Lower front window with "Servez-vous" microbeaded text (cannot be altered)
- Heated lighting (traditional part)

OPTIONAL

- Knife holder
- Label holder

HEATED DISPLAYS

SPECIFICATIONS

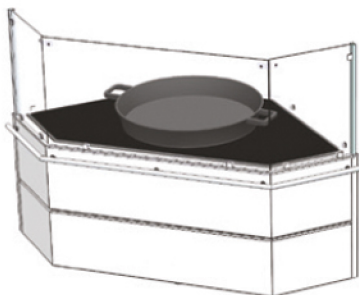
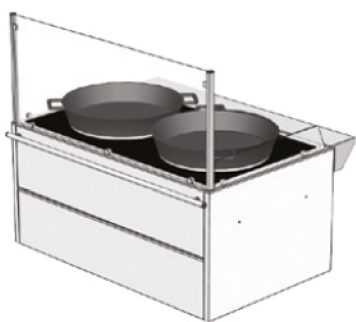
Manufacturer :



ELECTRICAL SAUCEPAN MODULES

Model	Length	Depth	Window height	Workstation height	Voltage	Power outlet	Power
MPC 75 E	29 1/2"	39 1/2"	54 1/4"	30 1/4"	220 triphase	20 A	4500 W
MPC 100 E	39 1/2"	39 1/2"	54 1/4"	30 1/4"	220 triphase	20 A	4500 W
MPC 150 E	59"	39 1/2"	54 1/4"	30 1/4"	220 triphase	20 A	9000 W
MPC 90° E simple or double corner	79 1/2"	42 1/2"	54 1/4"	30 1/4"	220 triphase	20 A	4500 W 9000 W
MPC 75 EAP*	29 1/2"	32"	33 1/2"	10"	220 triphase	20 A	4500 W

* Electric to be installed



DESCRIPTION

- Straight or curved front window
- Aluminum hotplate for regular cooking
- Comes with a giant non-stick cast aluminum Ø16 1/2" saucepan
- Thermostat regulation, 68°F to 5732°F (maximum cooking power)
- Rear pull-down polyethylene panel, removable polyethylene or fixed stainless steel

OPTIONAL

- Giant saucepan Ø25 1/2" 1, 2 or 3 compartments
- Heated lamp

HEATED DISPLAYS

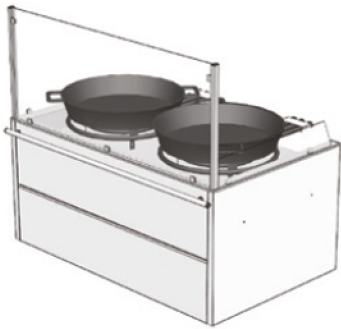
SPECIFICATIONS

Manufacturer :



GAS SAUCEPAN MODULES

Model	Length	Depth	Height	Workstation height	Caloric butane/propane gas	Heat output from a standard gas connection
MPC 75 G	29 1/2"	43 1/4"	54 1/4"	30 1/4"	19,25 W	22,5 W
MPC 150 G	1500 mm	43 1/4"	54 1/4"	30 1/4"	38,5 W	45 W



DESCRIPTION

- Straight or curved window
- Gas tripod, supplied with pressure valve and pipe bend
- Closed-off base for propane gas cylinders (small model)
- Delivered with Ø 600mm enamel skillet
- Pull-down rear polyethylene panel, removable for cleaning

SKILLETS FOR MPC SAUCEPAN MODULES

Model	Designation
P 500 - electrical model	Ø 19 1/2" (H int.3 1/4"/H ext.4")
P 500/2 - electrical model	Ø 16 3/4" with 2 compartiments (H int.3 1/4"/H ext.4")
P 650 - electrical model	Ø 25 1/2"(H int.4"/H ext.4 3/4")
P 650/2 - electrical model	Ø 25 1/2" with 2 compartiments (H int.4"/H ext.4 3/4")
P 650/3 - electrical model	Ø 25 1/2" with 3 compartiments (H int.4"/H ext.4 3/4")
P 800 - electrical model	Ø 31 1/2" (H int.4"/H ext.4 3/4")
P 600 enameled - gas model	Ø 23 1/2" (H int.2"/H ext.2 1/2")



DESCRIPTION

- Made from: cast aluminum. Available in 1, 2 or 3 compartments and in 3 diameters: 19 1/2", 25 1/2" and 31 1/2"

HEATED DISPLAYS

SPECIFICATIONS

Manufacturer :



PIZZA MODULES

Model	Length	Depth	Window height	Workstation median height	Voltage	Power
MP 75	29 1/2"	40 1/4"	54 1/4"	32 1/4'	220 V mono	1800 W
MP 100	39 1/2"	40 1/4"	54 1/4"	32 1/4'	220 V mono	1800 W
MP 120	47 1/4"	40 1/4"	54 1/4"	32 1/4'	220 V mono	2700 W
MP 150	59"	40 1/4"	54 1/4"	32 1/4'	220 V mono	2700 W



DESCRIPTION

- Angled display surface in heated, polished granite
- Rear pull-down polyethylene panel, removable polyethylene or fixed stainless steel

OPTIONAL

- Label holder
- Right and left sections with identical windows and decorations to the facade for the installation of a corner

NEUTRAL DISPLAYS

SPECIFICATIONS

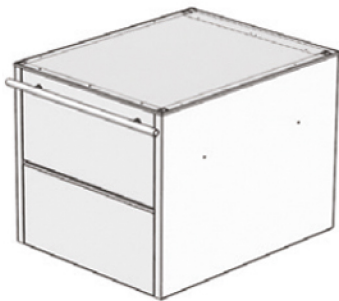
Manufacturer :



STRAIGHT MODELS

Model	Length	Depth	Workstation height
MN 75 without glass window*	29 1/2"	38 1/2"	30 1/4"
MN 100 without glass window*	39 1/2"	38 1/2"	30 1/4"

*Any other length available upon request



DESCRIPTION

- Upper level in brushed stainless steel

OPTIONAL

- Front and lateral high or low glass window

NEUTRAL DISPLAYS

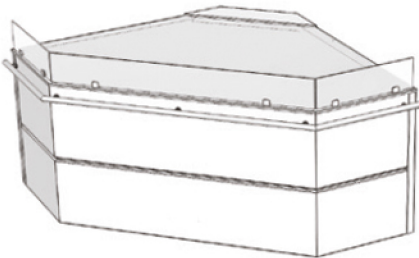
SPECIFICATIONS

Manufacturer :



CORNER MODELS

Model	Length	Depth	Workstation height
VA 45° neutral	38 1/4"	38 1/4"	30 1/4"
VA 90° neutral	79 1/2"	47 3/4"	30 1/4"



DESCRIPTION

- Upper level in brushed stainless steel

OPTIONAL

- Front and lateral high or low glass window



1515Design

1515 Design & Manufacturing
405 N. Oak Street Inglewood, CA 90302 USA
Toll free: 888-671-0360 Tel: 310-671-0345 Fax: 310-680-2879
E-mail: contact@1515design.com www.1515design.com