

ROTISSERIE

SPECIFICATIONS

Model : **NEOL (NEOGRILL COMBINED)**

Manufacturer :



NEOGRILL

Simple, efficient and versatile. This rotisserie oven is designed to make your life easier.

CAPACITY

16 chickens (Model N1) to 24 chickens (model N2) per hour.

PERFORMANCE

4 stainless steel Stand-up® baskets driven by a powerful motor, heated by 3 reinforced infrared "incoloy" heaters.

ERGONOMIC

New extra-flat touchscreen control panel, thermostat-regulated cook settings, automatic shut-off with "temperature hold" mode.

A BEAUTIFUL DESIGN

An innovative design with large viewing windows, glass-ceramic protected quartz lighting.

EASY TO CLEAN

Opens on both sides, the interior can be fully dismantled, red enameled sheet steel and dye-penetrating silk-screening on the windows.

SAFETY

Toughened glass protection, protected access to the fat tray.



NEOL, combined Neogrill and self-service display

DISPLAY (V85.LS) SPECIFICATIONS

- 2 stainless steel shelves, with the upper shelf set back
- Glass-ceramic protection and lighting
- Windows on each side for a panoramic view
- Heated shelves
- Customer access from the front
- Compact design
- Black coating
- Mobility with 4 castors, 2 with brakes
- Optional: assisted service (display closed off with two sliding windows at the front)
- Capacity: up to 20 chickens

POWER SUPPLY

- Standard: 220V tri-phase
- Power: 10,22 Kw
- 26.7 Amps
- Weight: 436 pounds



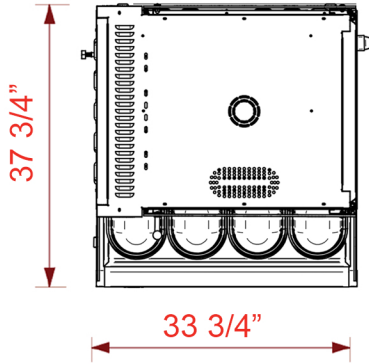
ROTISSERIE SPECIFICATIONS

Model : **NEOL (NEOGRILL COMBINED)**

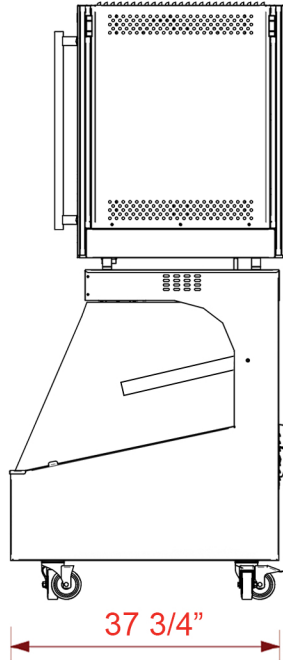
Manufacturer :



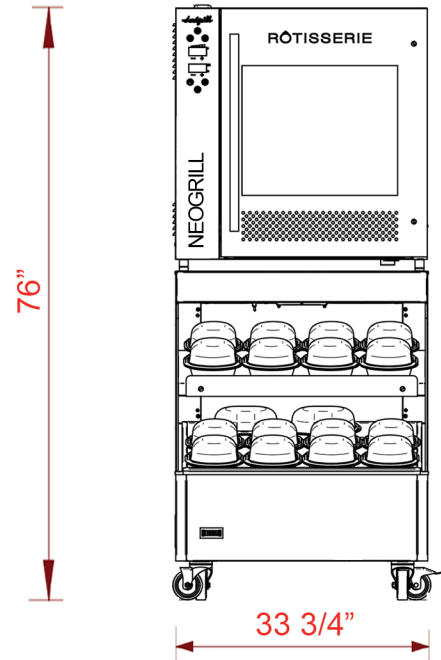
TOP VIEW



SIDE VIEW



FRONT VIEW



E 220 V Tri Phase 26.7Amps.



An innovative basket

The Stand-up® basket, a new Dorégrill patent to make your life that much easier... Chickens are held upright, increasing oven capacity. With only 3 bars, it's light, easy to clean and really shows off your products.



Model	Length	Height	Depth	Number of baskets	Power	Capacity per hour (depending on weight)
N1	33 1/2"	30 1/2"	28 1/3"	4	7.3 kW	16 Vol.
N2	42 1/4"	30 1/2"	28 1/3"	4	9.1 kW	24 Vol.
Neol	33 3/4"	66"	37 3/4"	-	9.9 kW	-

Oven	Dimensions			Power
	Length	Height	Depth	
E. N1	33 1/2"	37"	27 1/2"	2.30 kW
E. N2	42 1/4"	37"	27 1/2"	3.30 kW