

ROTISSERIE

SPECIFICATIONS

Model : **MAG 58/6** Electric Version

Manufacturer :



DESIGN

Traditional Rotisserie with powerful lighting system.
Porcelain Enamel finish with choice of color available
Decorative roof with lighted rotisserie sign



COOKING SYSTEM

6 spits.
Each individual spit has its own unique heating element for a constant and fast cooking time.
Adjustable spits allow to cook any type of products from chicken to turkey, lamb, beef and vegetables.
A variety of attachments are also available such as basket spits and chicken spits.
Our rotisserie ingenious spit adjustment guarantees a perfect cooking regardless of the size of the product.
Individual motors.

CLEANING

Easy to clean and safe to maintain.
Removable back panels.
Rounded corners.
Drain Valve.



PERFORMANCE

Porcelain enamel finish and individual heating elements provide the best cooking system for poultry.
Fast and consistent from 36 to 42 chickens capacity in less than an hour.
The unique heating element system provides exceptional control and unmatched durability.
The porcelain enamel guarantees a non stick, most durable surface.
Patented prong-less spits.
Enameled panels.

COLORS

STANDARD	OPTIONS
■ Signal Black (RAL 9004)	■ Purple Red (RAL 3004)
	■ Traffic Red (RAL 3016)
	■ Gentian Blue (RAL 5010)
	■ Stainless Steel



ROTISSERIE

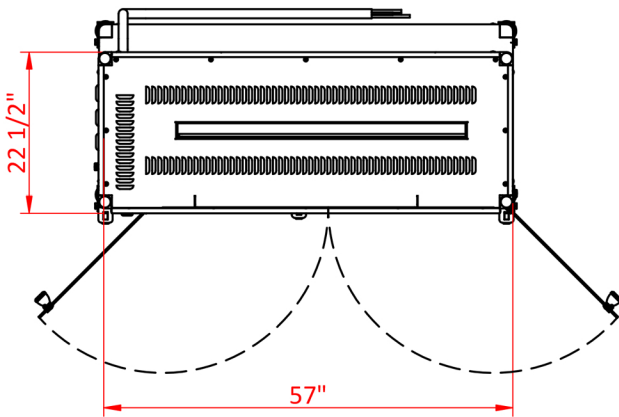
SPECIFICATIONS

Model : **MAG 58/6** Electric Version

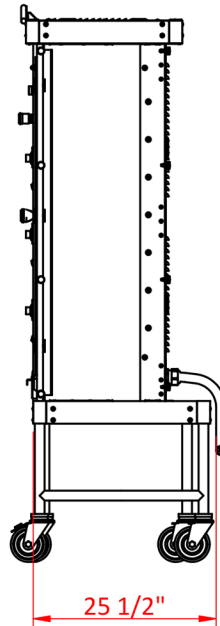
Manufacturer :



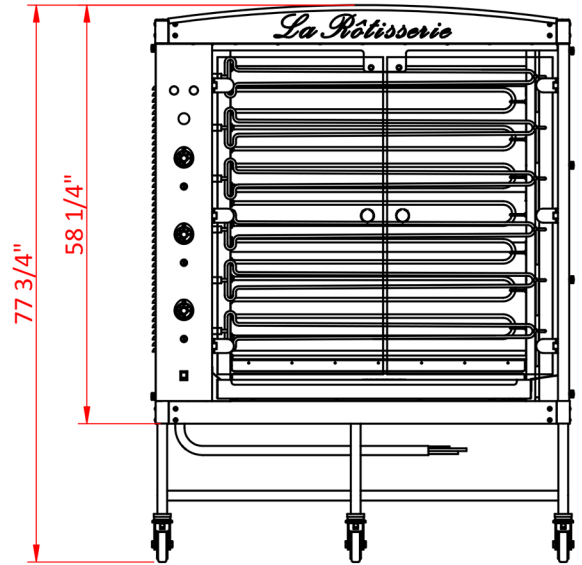
TOP VIEW



SIDE VIEW



FRONT VIEW



CE KCL AQ ORIGINAL FRANCE ETL ANSI / NSF4 ETL ANSI Z83.11b-2009 CSA 1.8-2009

Elec. Consumption	220V Tri Phase 29.5 Kw 77.4 Amps	STANDARD FEATURES
Capacity	Up to 36 with 3lbs Chicken Up to 42 with 2lbs Chicken	STD finish : Black Enamel with all Stainless steel trims
Warranty	1 Year parts and labor	6 spits
Venting	The rotisserie requires a type 1 grease type hood installed in accordance with all national and local codes	Bottom drip pan with drain valve
Min. Clearance	6" on the right, left and rear side	2 Tempered glass doors
Shipping Weight	540 lbs crated	4 casters with front brakes
		Individual Motors
		Roof with Lighted Rotisserie Sign